

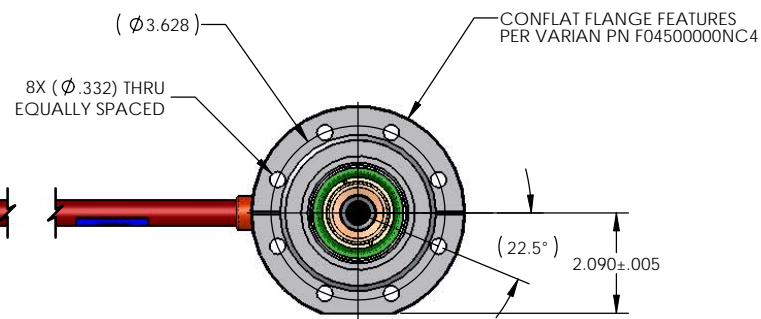
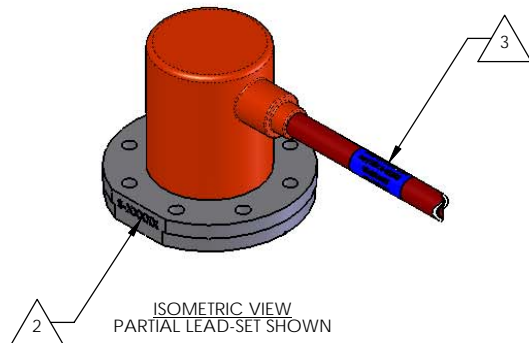
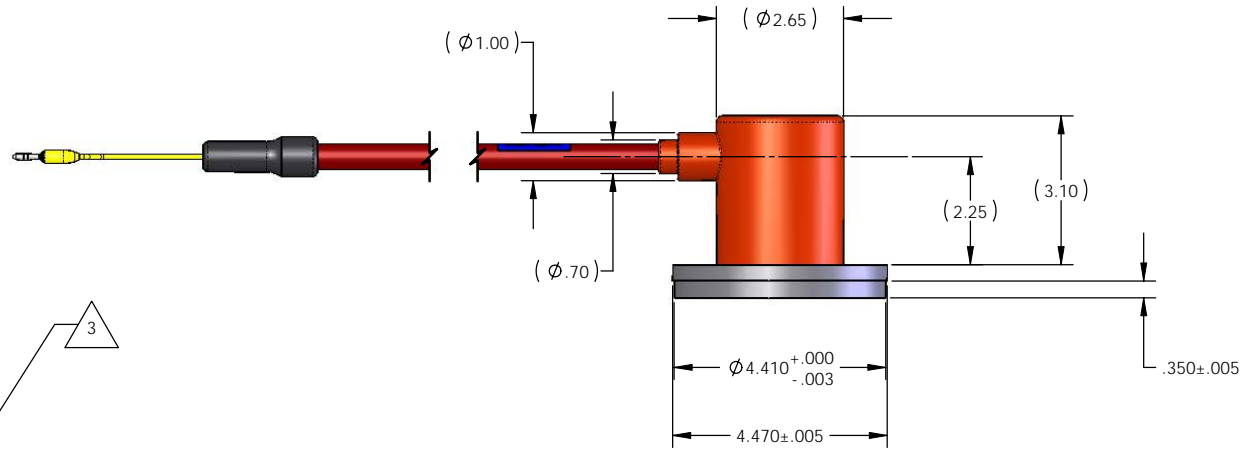
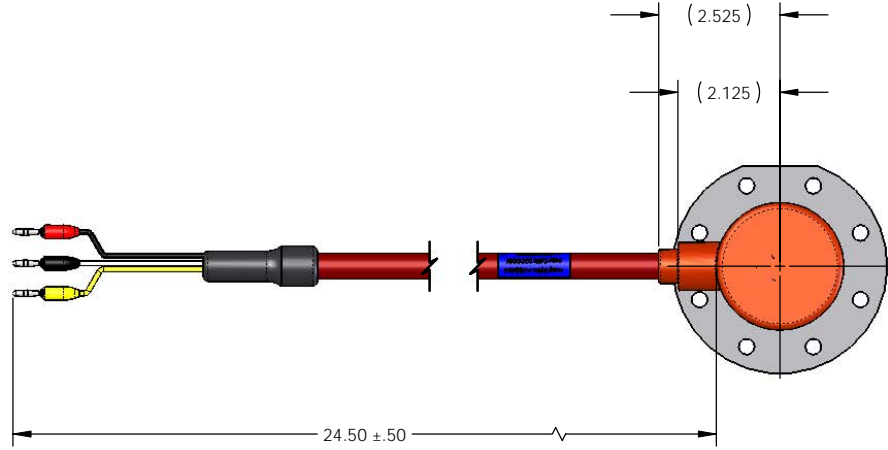
THE INFORMATION CONTAINED IN THIS DRAWING IS THE SOLE PROPERTY OF ALTAIR TECHNOLOGIES, INC. ANY REPRODUCTION IN PART OR WHOLE WITHOUT THE WRITTEN PERMISSION OF ALTAIR TECHNOLOGIES, INC. IS PROHIBITED.

REVISION HISTORY					
REV	DESCRIPTION	ECO	DATE	BY	APVD
X1	--	--	08-09-09		CPF

CONNECTIONS:
 HEATER: YELLOW
 CATHODE: BLACK
 GRID: RED

NOTES: UNLESS OTHERWISE;

1. ALL REFERENCED DIMENSIONS IN PARENTHESES ARE NOMINAL.
2. ASSEMBLY SERIAL NUMBER STAMPED INTO FLANGE AT GENERAL LOCATION INDICATED.
3. MANUFACTURING LABEL INCLUDED ON LEAD-SET ASSEMBLY WITH FOLLOWING INFORMATION:
 - ASSEMBLY PART NUMBER
 - ASSEMBLY SERIAL NUMBER
 - WARRANTY EXPIRATION DATE



ITEM NO.	QTY REQD.	PART OR IDENTIFYING NO.	NOMENCLATURE OR DESCRIPTION	MATERIAL SPECIFICATION
UNLESS OTHERWISE SPECIFIED DIMENSIONS ARE IN INCHES TOLERANCES ARE:				
		DECIMALS	ANGLES	FINISH
		X .1	XX .02	RAE FINISH
		XXX .005		
MATERIAL				
ITEM				
NEXT ASSY USED ON				
APPLICATION				
DO NOT SCALE DRAWING				

CAD FILE		PARTS LIST	
A102414.SLDDRW			
APPROVALS	DATE		
DRAWN: C.FERRARI	08-JUN-09		
CHECKED:			
RESP'NG:			
MRG'NG:			
QUAL'NG:			

THIS ALTAIR DOCUMENT IS REFERENCED FROM THE FOLLOWING CUSTOMER DRAWING:		SCALE: 1:2	SHEET 1 OF 1
APPLICATION		DATE	REV X1
		A102414 OUTLINE	

THIS ALTAIR DOCUMENT IS REFERENCED FROM THE FOLLOWING CUSTOMER DRAWING:

APPROVALS	DATE
DRAWN: C.FERRARI	08-JUN-09
CHECKED:	
RESP'NG:	
MRG'NG:	
QUAL'NG:	



**E-GUN ASSEMBLY
OUTLINE**

A102414 OUTLINE
REV X1